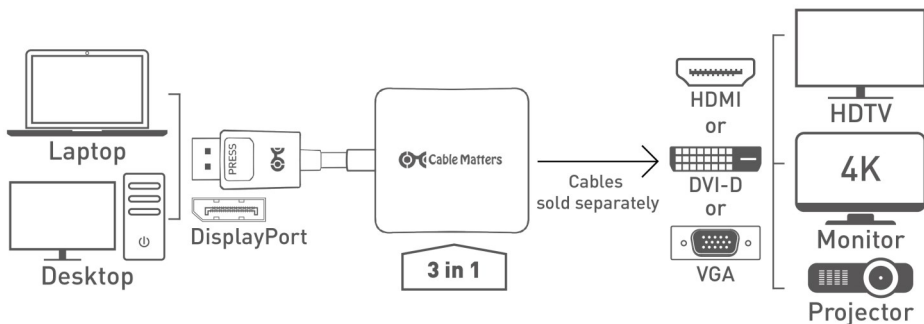


DisplayPort® to HDMI/DVI/VGA Adapter



- 1) Connect the ADAPTER to the DisplayPort port of the COMPUTER
- 2) Connect an HDMI or DVI or VGA CABLE (sold separately) to the ADAPTER and DISPLAY
- 3) Select the HDMI/DVI/VGA input setting from the menu of the connected DISPLAY
- 4) Adjust the computer VIDEO resolution and refresh rate from the computer
- 5) Adjust the computer AUDIO output settings for HDMI

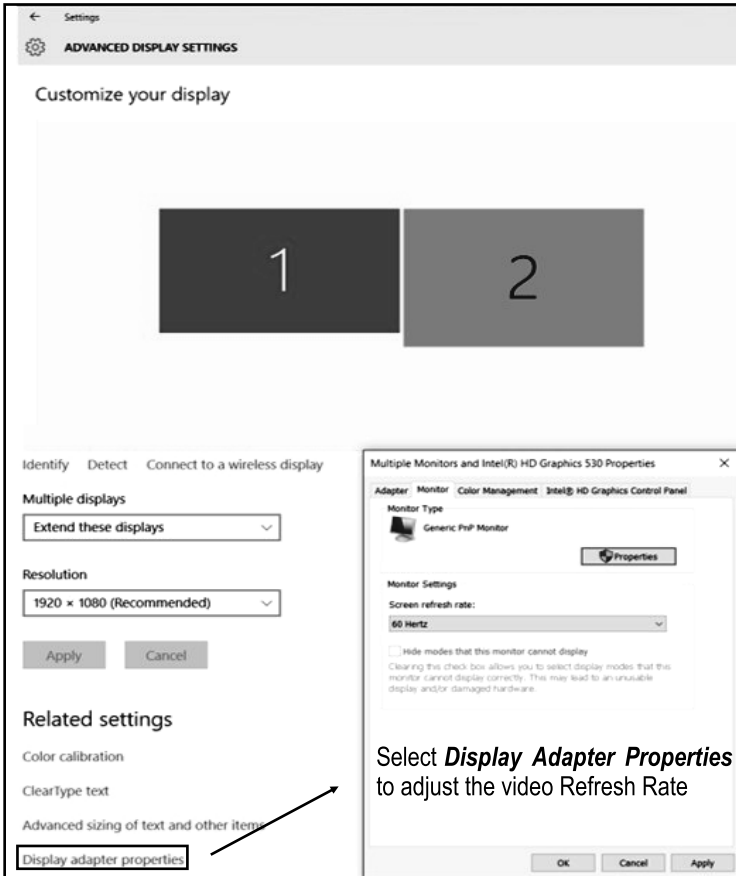
Connection Notes

- SINGLE OUTPUT with one display connection at a time (HDMI or DVI or VGA)
- DEPRESS THE LATCH on the DisplayPort connector to avoid damage when unplugging
- Dual Mode DP++ support required from the graphics card or an active adapter is required
- DUAL MONITOR SETUP to connect up to 2 monitors (1 adapter per monitor) with AMD Eyefinity
- NOT BI-DIRECTIONAL adapter converts the signal only from DisplayPort to HDMI or DVI or VGA
- NOT USB COMPATIBLE with DisplayPort plug that does not fit the USB port of a computer
- VIDEO RESOLUTION up to 1920x1080 @ 60 Hz including 1080p with DVI-D Single Link
- AUDIO IS NOT SUPPORTED BY DVI or VGA and must be transmitted separately
- HDCP SUPPORT for viewing copy protected video with HDCP compliant equipment

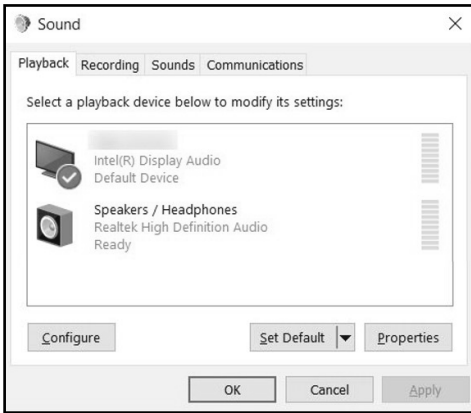
Contact support@cablematters.com for questions

VIDEO SETTINGS IN WINDOWS

- 1) Connect the adapter and the DVI cable to both ends
 - 2) Select the **DVI input** from the connected display menu
 - 3) Search for **Display Settings** in Windows
 - 4) Select to **Duplicate** or **Extend** the display
- (Note: Click and drag the program to the display in Extended Mode)
- 5) Click **Apply** to save the settings



AUDIO SETTINGS IN WINDOWS (HDMI ONLY)



- 1) Search for **Sound** in Windows
- 2) Open the **Playback Tab** in **Sound**
- 3) Select the display with **HDMI** audio
- 4) Set the **Configuration** and **Properties**
- 5) Click **Set Default**
- 6) Click **Apply** and **OK** to save the settings
- 7) Adjust the volume at the connected display

- ◆ Changing the audio device may require you to **RESTART** your PC
- ◆ Check that your computer volume is not **MUTED** or extremely low

Troubleshooting Tips

CABLING

- Check that the blue LED is lit on the adapter when connected
- Check that all cable connections are secure
- Inspect the adapter to check that no pins are damaged or bent
- Test the adapter with a different port or computer, if possible

COMPUTER SOURCE

- Check for updated OS and video graphics card drivers for DisplayPort
- Review the troubleshooting steps from your computer manufacturer
- Try different video resolution and refresh settings supported by the connected display
- Reboot the computer after making multiple changes

CONNECTED DISPLAY

- Select the DVI input from the connected display menu
- Select a video resolution and aspect ratio setting supported by your computer
- Check for firmware updates and troubleshooting from the display manufacturer

Contact **support@cablematters.com** for questions

The Cable Matters Gold-Plated DisplayPort to DVI adapter is an indispensable companion for your laptop or desktop equipped with DisplayPort. Connect your computer to a monitor for high definition video (1920x1200 or 1080p) streaming with this portable adapter and an HDMI, DVI or VGA cable (sold separately). Use this adapter to mirror or extend your desktop for an expanded workstation.



View our other DisplayPort Adapter products at www.cablematters.com



**DisplayPort to HDMI
Model 102018**



**DisplayPort to VGA
Model 102006**



**DisplayPort to HDMI w/ LED
Model 102027**

Customer Support and Contact Information Cable Matters offers lifetime technical support as an integral part of our commitment to provide industry leading solutions.

Contact us at wholesale@cablematters.com for large volume discount pricing.

Warranty Information This product is backed by a limited one-year warranty. In addition, Cable Matters warrants its products against defects in materials and workmanship for the periods noted, following the initial date of purchase. During this period, the products may be returned for repair, or replaced with equivalent products at our discretion. The warranty covers parts and labor costs only. Cable Matters does not warrant its products from defects or damages arising from misuse, abuse, alteration, or normal wear and tear.

Limitation of Liability In no event shall Cable Matters Inc. (including their officers, directors, employees or agents) be liable for any damages (whether direct or indirect, special, punitive, incidental, consequential, or otherwise), loss of profits, loss of business, or any pecuniary loss, arising out of, or related to the use of this product exceeding the actual price paid for the product. Some states do not allow the exclusion or limitation of incidental or consequential damages. If such laws apply, the limitations or exclusions contained in this statement may not apply to you.

Cable Matters is a registered trademark or trademark of Cable Matters Inc. All rights reserved. All other trademarks are the property of their respective owners.